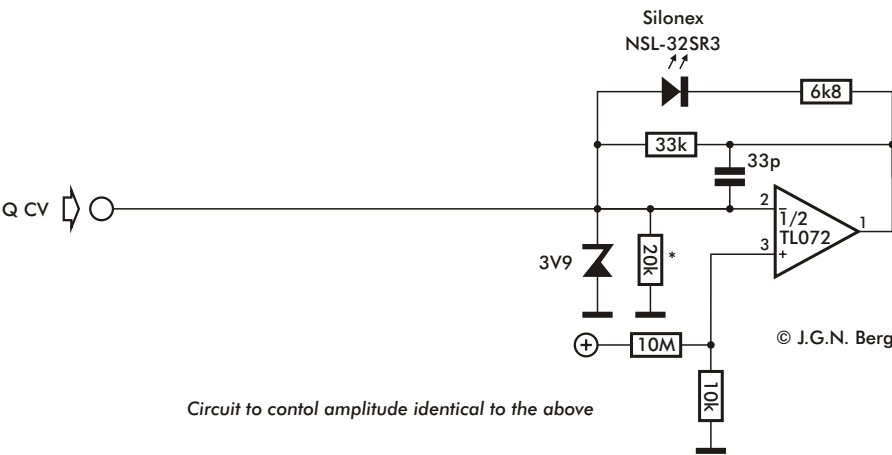
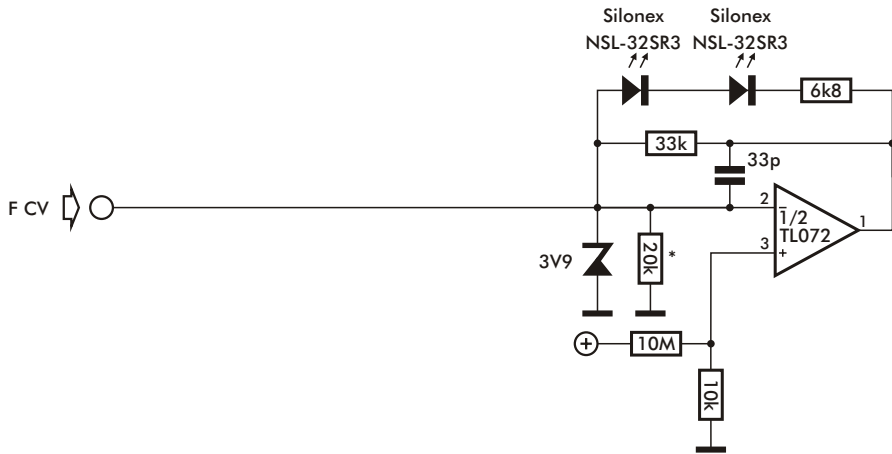
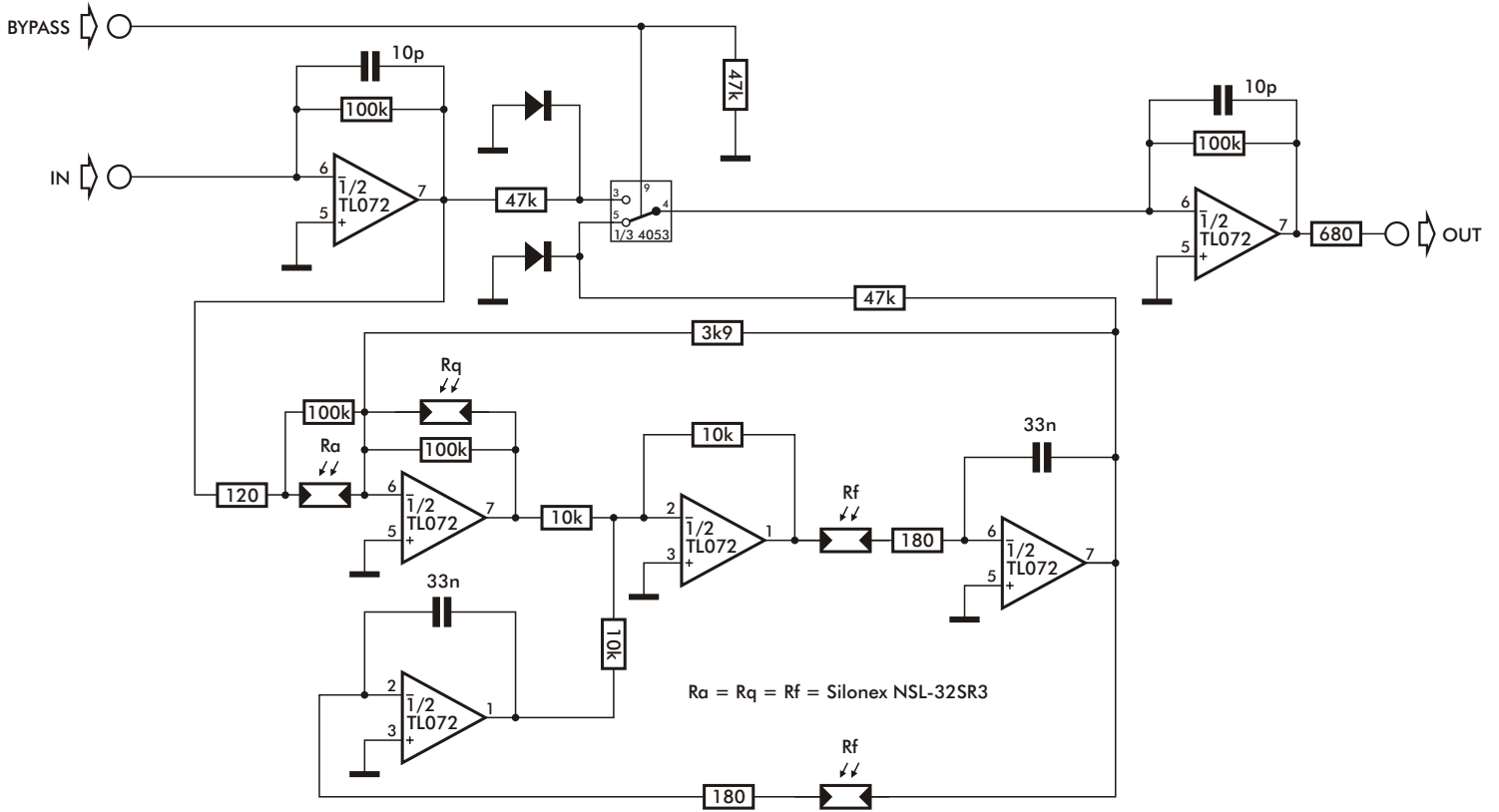


# VC BANDPASS FILTER



CV	LDR
[V]	[ohm]
0:	>200M
1:	160k
2:	49k
3:	26k
4:	16k
5:	11k
6:	6800
7:	3400
8:	1500
9:	780
10:	390

© J.G.N. Bergfors 2008

Circuit to control amplitude identical to the above