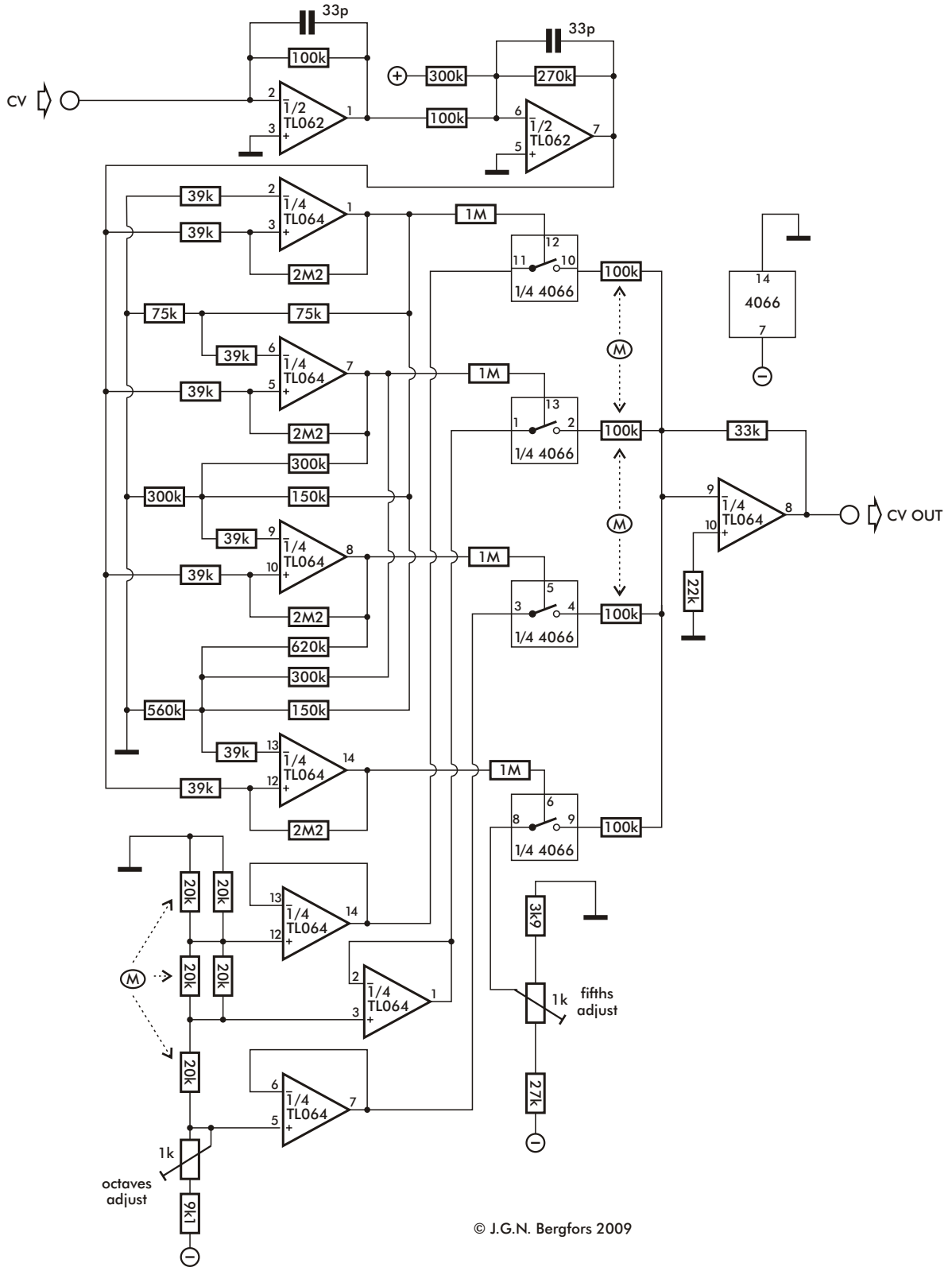


OCTAVE QUANTIZER



© J.G.N. Bergfors 2009