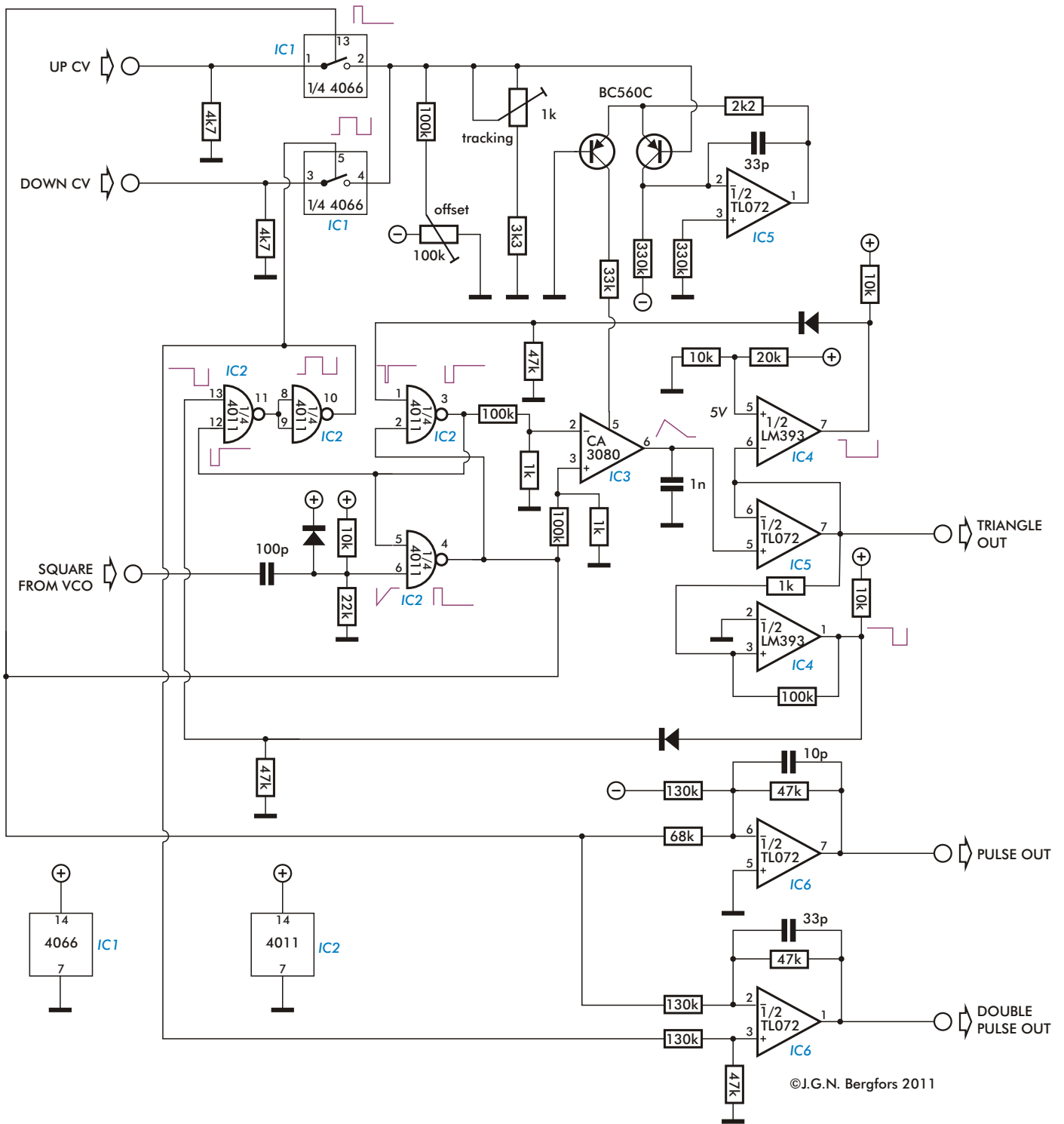


# WOODWIND WAVESHAPER (WVCO)



©J.G.N. Bergfors 2011